



# AAI-TY3

2003-2012 Lexus / Scion / Toyota Auxiliary Input Adapter

## Installation Instructions

### Vehicle Applications

LEXUS		SCION		TOYOTA			
ES330	2004-2006	xA	2004-2006	4-Runner	2003-2011	MR2	2003-2005
ES350	2006-2010	xB	2004-2010	Avalon	2003-2010	Prius	2006-2011
GS300	2006	xD	2008-2011	Camry	2005-2011	RAV4	2006-2011
GS350	2007-2009	tC	2004-2010	Camry Solara	2003-2009	Sequoia	2003-2011
GS450h	2007-2009			Celica	2003-2005	Sienna	2004-2010
GS460	2008			Corolla	2005-2010	Tacoma	2005-2012
GX470	2005-2009			FJ Cruiser	2007-2011	Tundra	2003-2012
IS250	2006-2010			Highlander	2004-2012	Venza	2009-2011
IS350	2006-2010			Land Cruiser	2003-2011	Yaris	2007-2011
ISF	2008-2010			Matrix	2006-2010		

NOTE: Not compatible with radio models AD6809 or AD6810.

### Before You Start

Before any connections are made, PAC strongly recommends that all circuits be verified with a voltmeter before interfacing with them. Always set the parking brake before working on any vehicle.

### General Overview

The AAI-TY3 converts the 12-pin satellite or CD changer port of the OEM Lexus / Scion / Toyota radio to RCA level audio input. The AAI-TY3 can be configured (with internal DIP switch settings) to work in either satellite or CD changer mode, depending on what the radio's capabilities are, and what options the vehicle is equipped with. **The AAI-TY3 will replace the OEM device that you choose to emulate. If the radio has built-in SAT, the AAI-TY3 must use the CD emulation mode.**

### Install It Right with AAI-TY3

DO NOT force connectors together as pin damage may occur. This installation will be flawless if you take your time making the connections described below. Following the installation sequence below is critical to ensure proper recognition of the auxiliary device by the factory radio.

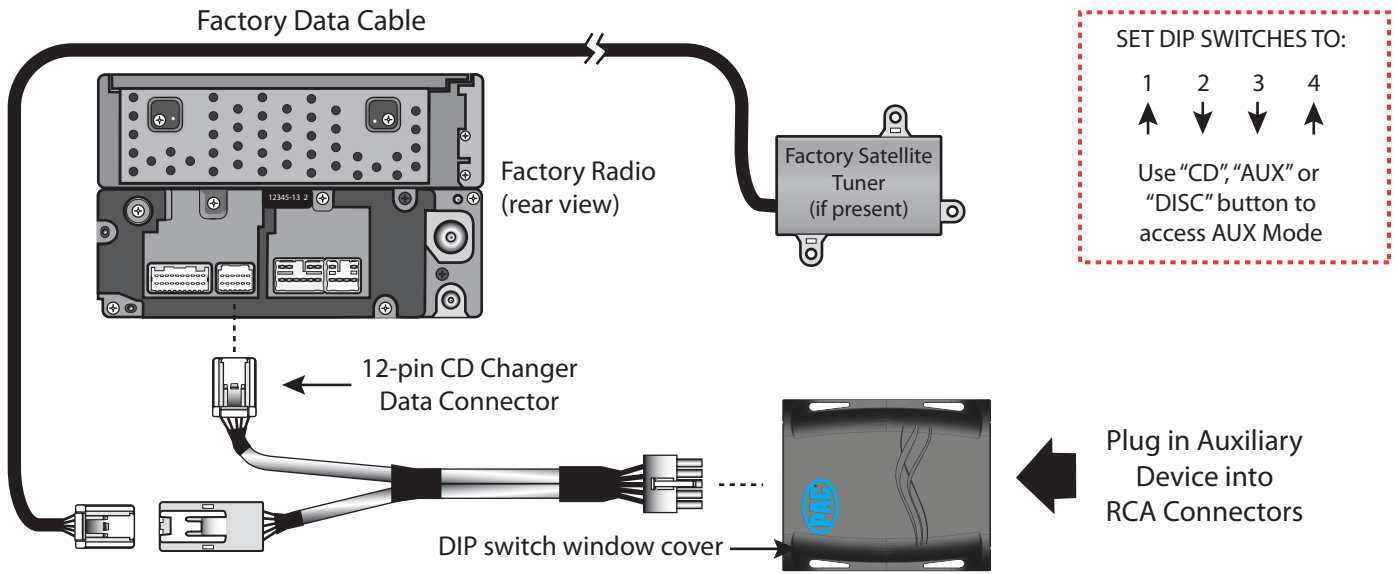
### Installation Instructions

1. Disconnect the negative battery terminal.
2. Remove the Toyota radio to gain access to the radio's 12-pin data port.
3. Remove the harness that may be plugged into this port.
4. Connect the MALE end of the AAI-TY3 vehicle harness to the radio's 12-pin DATA port.
5. Connect the FEMALE end of the AAI-TY3 vehicle harness to any harness that was previously plugged into this port.
6. Open the AAI-TY3 case DIP switch window cover and configure the internal DIP switches for your specific application (see diagrams on back).
7. Once the AAI-TY3 module's DIP switches have been configured and the DIP switch window cover closed, connect the male 10-pin Molex connector of the AAI-TY3 vehicle harness to the module.
8. Connect an appropriate length patch cord or other cable (not included) between the AAI-TY3 and auxiliary device.
9. Re-install factory radio.
10. Reconnect the negative battery terminal.

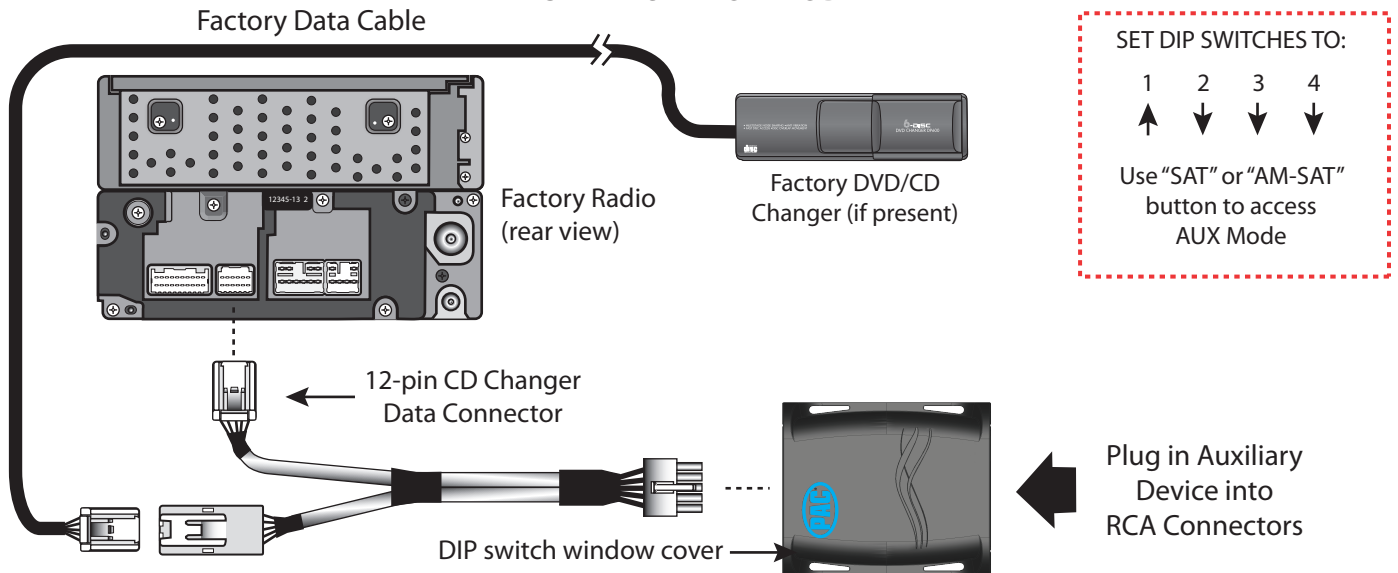
### Verify Operations

1. With radio on, activate auxiliary device.
2. Set volume on auxiliary device to preferred listening level.
3. Push the appropriate (i.e. CD, DISC or AM/SAT, etc.) button on radio to access AUX or SAT mode.
4. Display on radio will show "CD1 TR 1" (CD emulation) or channel "001" (SAT emulation).
5. Verify that audio of auxiliary device is heard.

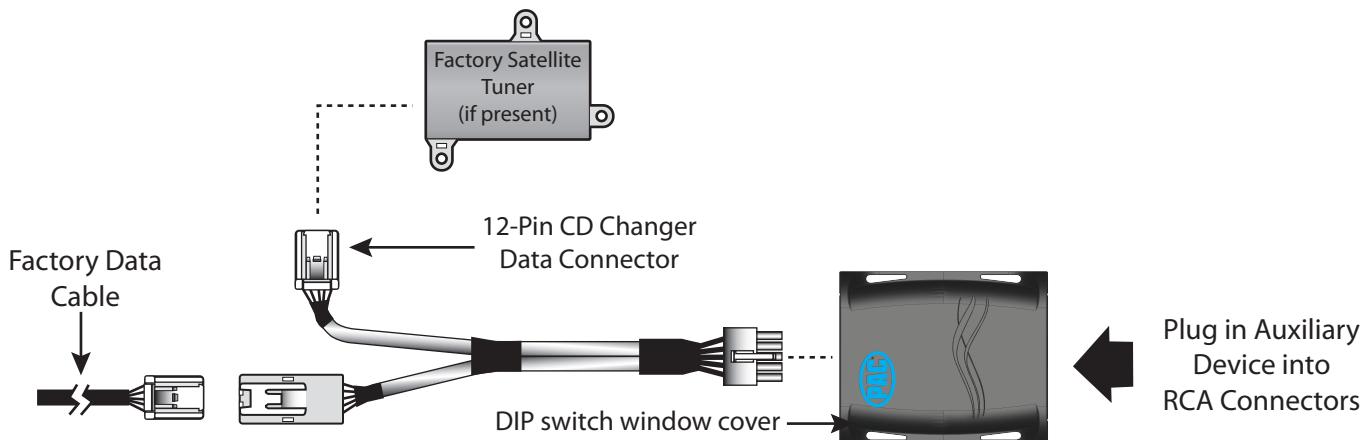
## CD EMULATION MODE



## SAT EMULATION MODE



## CONNECTION AT XM TUNER / CD CHANGER LOCATION



**Pacific Accessory Corporation**

Santa Ana, CA 92705

techsupport@pac-audio.com • www.pac-audio.com

Copyright 2013 Pacific Accessory Corporation. Content subject to change without notice.